



Connector accessories

CTCS

(Compact Transportation Connection System)

MADE FOR REAL 

HellermannTyton S.r.l.

Via Visco, 3/5

35010 Limena (PD)

Tel: +39 049 767 870

Fax: +39 049 767 985

E-Mail: info@HellermannTyton.it

www.HellermannTyton.it

Don't look the
hard way for the
ideal harness
fastening solutions...
discover them
easily in the online
Automotive Portal!



[www.HellermannTyton.com/
AutomotivePortal](http://www.HellermannTyton.com/AutomotivePortal)

MADE FOR REAL 





Connector Accessory Backshells, straight

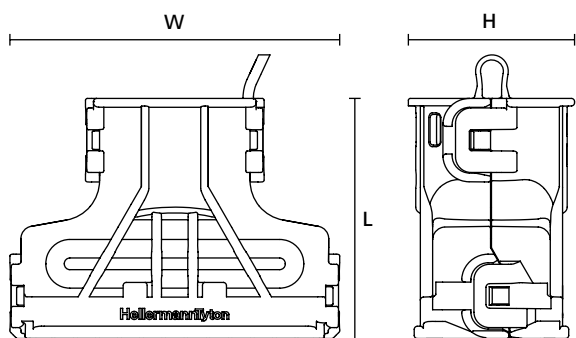
The backshells or covers protecting the individual cables and wires from splashing water and dirt.

Features and benefits

- Strain relief for corrugated tubes
- Four shrouded locks
- Strapping points fully integrated with cover for maximum retention of harness
- Nominal diameter printed in backshell
- Insertion support and pre-catch function audible by clicking simplify the closing, laying of the cables and saves time
- Corrugated tube is completely enclosed by backshell, so that tube is not bruised in case of using an additional cable tie and cannot slip out of place especially during movement and vibration
- Available in V0-material (flame retardant) especially for vehicles used for transportation of passengers



Backshell "Group A" NW8.5 180°.



Backshell 180° front view

Backshell 180° side view

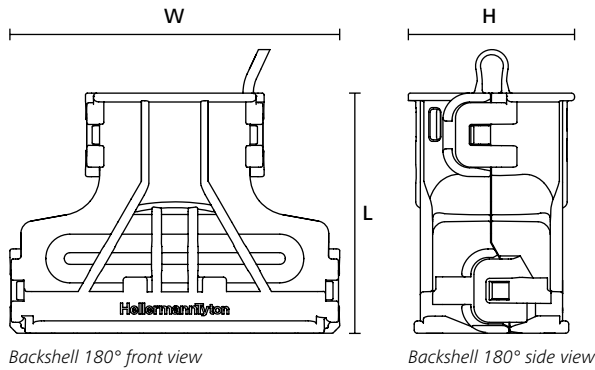
TYPE	Nominal Ø	Width (W)	Length (L)	Height (H)	Material	Colour	Product Family	Article-No.
BSB180NW7.5	7.5	27.1	28.9	26.0	PA66, PA6FR	Black (BK)	Backshell B, straight, NW 7.5 CTCS-series	151-02331
	7.5	27.1	28.9	26.0	PA66HS	Black (BK)	Backshell B, straight, NW 7.5 CTCS-series	151-02332
BSB180NW8.5	8.5	27.1	28.9	26.0	PA66, PA6FR	Black (BK)	Backshell B, straight, NW 8.5 CTCS-series	151-02327
	8.5	27.1	28.9	26.0	PA66HS	Black (BK)	Backshell B, straight, NW 8.5 CTCS-series	151-02328
BSA180NW8.5	8.5	28.1	28.9	18.1	PA66, PA6FR	Black (BK)	Backshell A, straight, NW 8.5 CTCS-series	151-02340
	8.5	28.1	28.9	18.1	PA66HS	Black (BK)	Backshell A, straight, NW 8.5 CTCS-series	151-02341
BSB180NW10	10	27.1	28.9	26.0	PA66, PA6FR	Black (BK)	Backshell B, straight, NW 10 CTCS-series	151-02323
	10	27.1	28.9	26.0	PA66HS	Black (BK)	Backshell B, straight, NW 10 CTCS-series	151-02324

All dimensions in mm. Subject to technical changes.





Connector Accessory Backshells, straight



TYPE	Nominal Ø	Width (W)	Length (L)	Height (H)	Material	Colour	Product Family	Article-No.
BSC180NW13	13.0	33.7	33.8	24.0	PA66, PA6FR	Black (BK)	Backshell C, straight, NW 13 CTCS-series	151-02366
	13.0	33.7	33.8	24.0	PA66HS	Black (BK)	Backshell C, straight, NW 13 CTCS-series	151-02367
BSD180NW13	13.0	41.7	39.0	24.2	PA66, PA6FR	Black (BK)	Backshell D, straight, NW 13 CTCS-series	151-02443
	13.0	41.7	39.0	24.2	PA66HS	Black (BK)	Backshell D, straight, NW 13 CTCS-series	151-02445
BSE180NW17	17.0	53.3	39.1	27.2	PA66, PA6FR	Black (BK)	Backshell E, straight, NW 13	151-02399
	17.0	53.3	39.1	27.2	PA66HS	Black (BK)	Backshell E, straight, NW 17 CTCS-series	151-02398

All dimensions in mm. Subject to technical changes.



Connector Accessory Backshells, 90° elbow

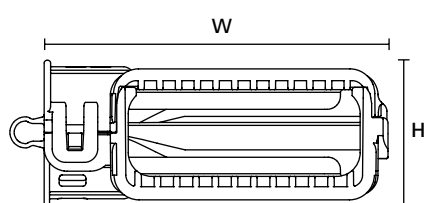
The backshells or covers protecting the individual cables and wires from splashing water and dirt.

Features and benefits

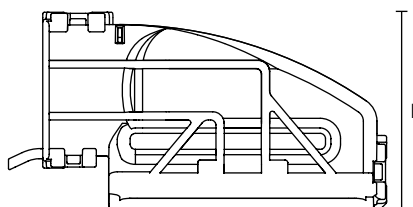
- Strain relief for corrugated tubes
- Four shrouded locks
- Strapping points fully integrated with cover for maximum retention of harness
- Nominal diameter printed in backshell
- Insertion support and pre-catch function audible by clicking simplify the closing, laying of the cables and saves time
- Corrugated tube is completely enclosed by backshell, so that tube is not bruised in case of using an additional cable tie and cannot slip out of place especially during movement and vibration
- Available in V0-material (flame retardant) especially for vehicles used for transportation of passengers



Backshell "Group A" NW8,5 90°.



Backshell 90° front view



Backshell 90° side view

TYPE	Nominal Ø	Width (W)	Length (L)	Height (H)	Material	Colour	Product Family	Article-No.
BSB90NW7.5	7.5	26.7	44.4	25.9	PA66, PA6FR	Black (BK)	Backshell B, 90° elbow, NW 7.5 CTCS-series	151-02780
	7.5	26.7	44.4	25.9	PA66HS	Black (BK)	Backshell B, 90° elbow, NW 7.5 CTCS-series	151-02781
BSA90NW8.5	8.5	25.6	38.8	17.5	PA66, PA6FR	Black (BK)	Backshell A, 90° elbow, NW 8.5 CTCS-series	151-02776
	8.5	25.6	38.8	17.5	PA66HS	Black (BK)	Backshell A, 90° elbow, NW 8.5 CTCS-series	151-02777
BSB90NW8.5	8.5	26.7	44.4	25.9	PA66, PA6FR	Black (BK)	Backshell B, 90° elbow, NW 8.5 CTCS-series	151-02784
	8.5	26.7	44.4	25.9	PA66HS	Black (BK)	Backshell B, 90° elbow, NW 8.5 CTCS-series	151-02785
BSB90NW10	10	26.7	44.4	25.9	PA66, PA6FR	Black (BK)	Backshell B, 90° elbow, NW 10 CTCS-series	151-02788
	10	26.7	44.4	25.9	PA66HS	Black (BK)	Backshell B, 90° elbow, NW 10 CTCS-series	151-02789
BSC90NW13	13	29.5	44.1	24.1	PA66, PA6FR	Black (BK)	Backshell C, 90° elbow, NW 13 CTCS-series	151-02768
	13	29.5	44.1	24.1	PA66HS	Black (BK)	Backshell C, 90° elbow, NW 13 CTCS-series	151-02769
BSD90NW13	13	29.5	52.1	24.1	PA66, PA6FR	Black (BK)	Backshell D, 90° elbow, NW 13 CTCS-series	151-02764
	13.0	29.5	52.1	24.1	PA66HS	Black (BK)	Backshell D, 90° elbow, NW 13 CTCS-series	151-02765
BSE90NW17	17	36.6	64.2	24.5	PA66, PA6FR	Black (BK)	Backshell E, 90° elbow, NW 17 CTCS-series	151-02772
	17	36.6	64.2	24.5	PA66HS	Black (BK)	Backshell D, 90° elbow, NW 17	151-02773

All dimensions in mm. Subject to technical changes.



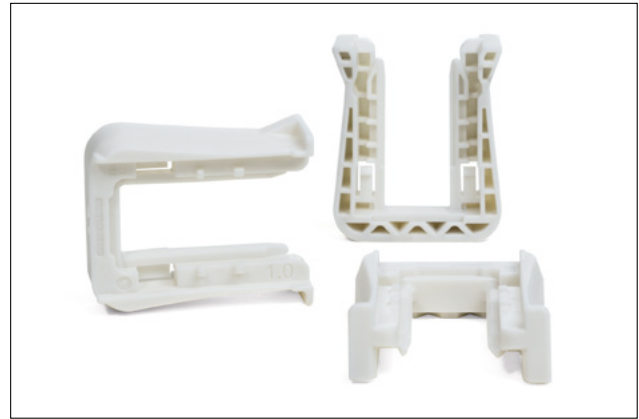
Connector Accessory

Fixing Slider for 1.0 mm panel thickness

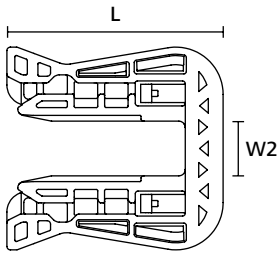
The slider is used to keep the plugs firmly and vibration-proof in place, even when movement acts on it.

Features and benefits

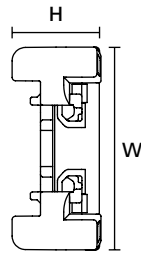
- Color coding for panel thickness: red (2.5 mm), yellow (3.0 mm), grey (1.5 mm and 3.5mm), natural (1.0 mm and 1.5 mm)
- Panel thickness is marked on the slider
- Permanent fixation of the connectors in the mounting hole by using the slider
- These parts are also available in V0 material (flame retardant) e.g. for public transport
- Fixing slider fit for the Aptiv connector XS and SP series



Fixing Slider (V0) "Group D" for 1.0 mm panel thickness.



Fixing Slider Top View.



Fixing Slider Front View.

TYPE	Width (W)	Length (L)	Height (H)	Panel Thickness	Material	Colour	Product Family	Article-No.
FSD1.0	36.2	42.6	14.7	1.0	PBTGF30FR	Natural (NA)	Fixing Slider D, 1.0 CTCS-series	151-02383

All dimensions in mm. Subject to technical changes.

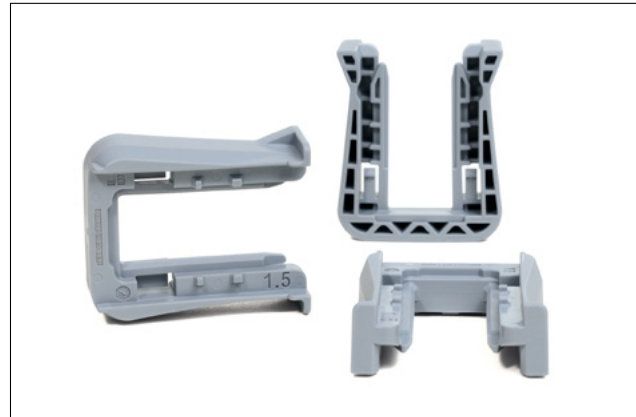


Connector Accessory Fixing Slider for 1.5 mm panel thickness

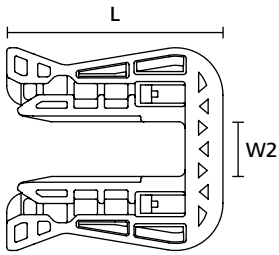
The slider is used to keep the plugs firmly and vibration-proof in place, even when movement acts on it.

Features and benefits

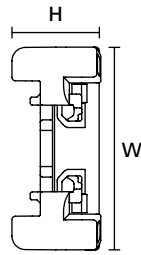
- Color coding for panel thickness: red (2.5 mm), yellow (3.0 mm), grey (1.5 mm and 3.5mm), natural (1.0 mm and 1.5 mm)
- Panel thickness is marked on the slider
- Permanent fixation of the connectors in the mounting hole by using the slider
- These parts are also available in V0 material (flame retardant) e.g. for public transport
- Fixing slider fit for the Aptiv connector XS and SP series



Fixing Slider (V0) "Group D" for 1.5 mm panel thickness.



Fixing Slider Top View.



Fixing Slider Front View.

TYPE	Width (W)	Length (L)	Height (H)	Panel Thickness	Material	Colour	Product Family	Article-No.
FSE1.5	36.2	56.5	14.2	1.5	PBTGF30FR	Grey (GY)	Fixing Slider E, 1.5 CTCS-series	151-02405

All dimensions in mm. Subject to technical changes.



Cable Ties and Fixings

Fixing products for connectors

Connector Accessory

Fixing Slider for 2.5 mm panel thickness

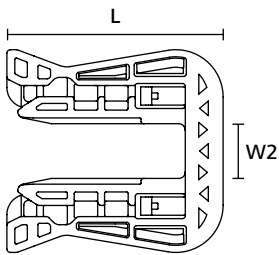
The slider is used to keep the plugs firmly and vibration-proof in place, even when movement acts on it.

Features and benefits

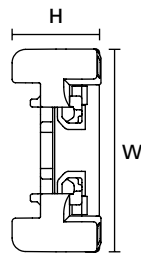
- Color coding for panel thickness: red (2.5 mm), yellow (3.0 mm), grey (1.5 mm and 3.5mm), natural (1.0 mm and 1.5 mm)
- Panel thickness is marked on the slider
- Permanent fixation of the connectors in the mounting hole by using the slider
- These parts are also available in V0 material (flame retardant) e.g. for public transport
- Fixing slider fit for the Aptiv connector XS and SP series



Fixing Slider Group A for 2.5 mm panel thickness.



Fixing Slider Top View.



Fixing Slider Front View.

TYPE	Width (W)	Length (L)	Height (H)	Panel Thickness	Material	Colour	Product Family	Article-No.
FSA2.5	30.0	32.0	13.2	2.5	PBTGF30	Red (RD)	Fixing Slider A, 2.5 CTCS-series	151-02345
	30.0	32.0	13.2	2.5	PBTGF30FR	Red (RD)	Fixing Slider A, 2.5 CTCS-series	151-02344
FSB2.5	36.0	31.9	13.0	2.5	PBTGF30	Red (RD)	Fixing Slider B, 2.5 CTCS-series	151-02309
FSC2.5	36.0	31.9	13.0	2.5	PBTGF30	Red (RD)	Fixing Slider C, 2.5 CTCS-series	151-02371
	36.0	31.9	13.0	2.5	PBTGF30	Red (RD)	Fixing Slider C, 2.5 CTCS-series	151-02370
FSB2.5	36.0	31.9	13.0	2.5	PBTGF30FR	Red (RD)	Fixing Slider B, 2.5 CTCS-series	151-02308
FSE2.5	36.2	56.5	13.2	2.5	PBTGF30FR	Red (RD)	Fixing Slider E, 2.5 CTCS-series	151-02409

All dimensions in mm. Subject to technical changes.



Connector Accessory Fixing Slider for 3.0 mm panel thickness

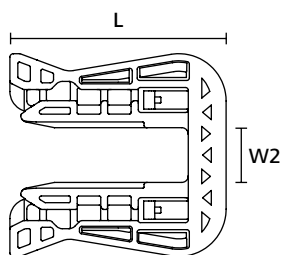
The slider is used to keep the plugs firmly and vibration-proof in place, even when movement acts on it.

Features and benefits

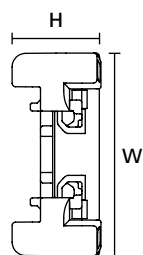
- Color coding for panel thickness: red (2.5 mm), yellow (3.0 mm), grey (1.5 mm and 3.5mm), natural (1.0 mm and 1.5 mm)
- Panel thickness is marked on the slider
- Permanent fixation of the connectors in the mounting hole by using the slider
- These parts are also available in V0 material (flame retardant) e.g. for public transport
- Fixing slider fit for the Aptiv connector XS and SP series



Fixing Slider "Group A" for 3.0 mm panel thickness.



Fixing Slider Top View.



Fixing Slider Front View.

TYPE	Width (W)	Length (L)	Height (H)	Panel Thickness	Material	Colour	Product Family	Article-No.
FSA3.0	30.0	32.0	12.7	3.0	PBTGF30	Yellow (YE)	Fixing Slider A, 3.0 CTCS-series	151-02349
	30.0	32.0	12.7	3.0	PBTGF30FR	Yellow (YE)	Fixing Slider A, 3.0 CTCS-series	151-02348
FSB3.0	36.0	31.9	12.5	3.0	PBTGF30	Yellow (YE)	Fixing Slider B, 3.0 CTCS-series	151-02305
	36.0	31.9	12.5	3.0	PBTGF30FR	Yellow (YE)	Fixing Slider B, 3.0 CTCS-series	151-02304
FSC3.0	36.0	35.8	12.7	3.0	PBTGF30	Yellow (YE)	Fixing Slider C, 3.0 CTCS-series	151-02375
	36.0	35.8	12.7	3.0	PBTGF30FR	Yellow (YE)	Fixing Slider C, 3.0 CTCS-series	151-02374
FSD3.0	36.2	42.6	12.7	3.0	PBTGF30FR	Yellow (YE)	Fixing Slider D, 1.0 CTCS-series	151-02395

All dimensions in mm. Subject to technical changes.



Cable Ties and Fixings

Fixing products for connectors

Connector Accessory

Fixing Slider for 3.5 mm panel thickness

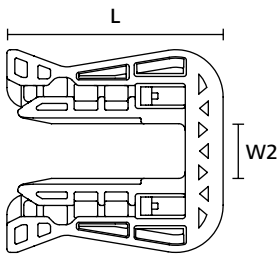
The slider is used to keep the plugs firmly and vibration-proof in place, even when movement acts on it.

Features and benefits

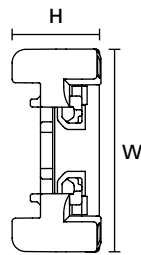
- Color coding for panel thickness: red (2.5 mm), yellow (3.0 mm), grey (1.5 mm and 3.5mm), natural (1.0 mm and 1.5 mm)
- Panel thickness is marked on the slider
- Permanent fixation of the connectors in the mounting hole by using the slider
- These parts are also available in V0 material (flame retardant) e.g. for public transport
- Fixing slider fit for the Aptiv connector XS and SP series



Fixing Slider "Group A" for 3.5 mm panel thickness.



Fixing Slider Top View.



Fixing Slider Front View.

TYPE	Width (W)	Length (L)	Height (H)	Panel Thickness	Material	Colour	Product Family	Article-No.
FSA3.5	30.0	32.0	12.2	3.5	PBTGF30	Grey (GY)	Fixing Slider A, 3.5 CTCS-series	151-02353
	30.0	32.0	12.2	3.5	PBTGF30FR	Grey (GY)	Fixing Slider A, 3.5 CTCS-series	151-02352
FSB3.5	36.0	31.9	12.0	3.5	PBTGF30FR	Grey (GY)	Fixing Slider B, 3.5 CTCS-series	151-02307
FSC3.5	36.0	35.8	12.2	3.5	PBTGF30	Grey (GY)	Fixing Slider C, 3.5 CTCS-series	151-02379

All dimensions in mm. Subject to technical changes.



Connector Accessory Protection Caps, female

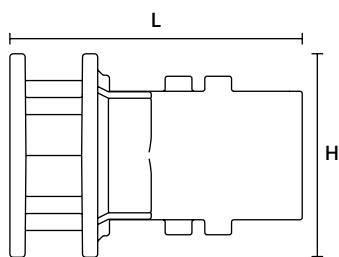
In order to store or transport a connector safely, the connection pins must be protected from splashing water and dirt.

Features and benefits

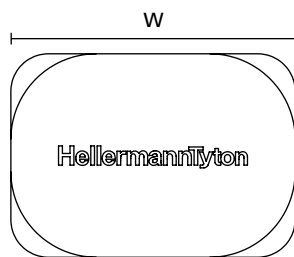
- General and transportation assurance
- Protection of plug connection against splashing water, dust and dirt



Protection cap female.



Protection Cap Female Side View "CTCS".



Protection Cap Female Front View "CTCS".

TYPE	Width (W)	Length (L)	Height (H)	Material	Colour	Product Family	Article-No.
CPAF	26.6	27.3	19.0	PBTGF30	Black (BK)	Protection Cap A, female CTCS-series	151-02916
	26.6	27.3	19.0	PBTGF30FR	Black (BK)	Protection Cap A, female CTCS-series	151-02906
CPBF	31.2	27.3	26.7	PBTGF30	Black (BK)	Protection Cap B, female CTCS-series	151-02918
	31.2	27.3	26.7	PBTGF30FR	Black (BK)	Protection Cap B, female CTCS-series	151-02908
CPCF	32.1	27.2	26.7	PBTGF30	Black (BK)	Protection Cap C, female CTCS-series	151-02920
	32.1	27.2	26.7	PBTGF30FR	Black (BK)	Protection Cap C, female CTCS-series	151-02910
CPDF	40.1	27.2	26.7	PBTGF30FR	Black (BK)	Protection Cap D, female CTCS-series	151-02912
CPEF	52.1	27.3	26.7	PBTGF30	Black (BK)	Protection Cap E, female CTCS-series	151-02924

All dimensions in mm. Subject to technical changes.

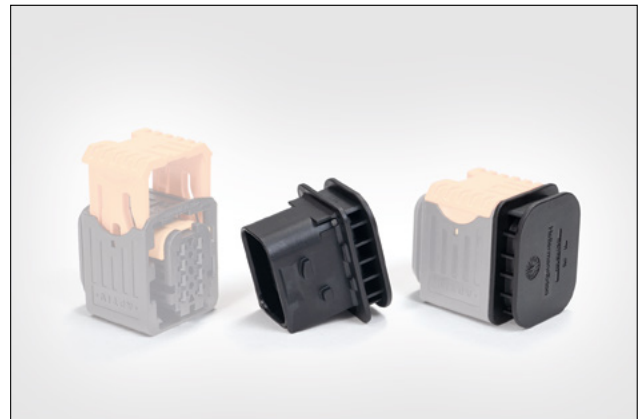


Connector Accessory Protection Caps, male

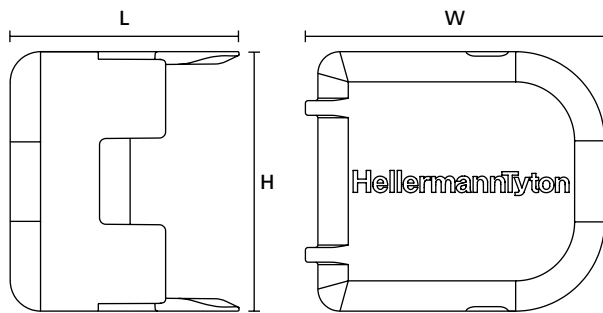
In order to store or transport a connector safely, the connection pins must be protected from splashing water and dirt.

Features and benefits

- General and transportation assurance
- Protection of plug connection against splashing water, dust and dirt



Protection cap female mounted at a connector.



Protection Cap Male "CTCS"

Protection Cap Male "CTCS"

TYPE	Width (W)	Length (L)	Height (H)	Material	Colour	Product Family	Article-No.
CPAM	15.2	24.5	18.7	PA66, PA6FR	Black (BK)	Protection Cap A, male CTCS-series	151-02847
	15.2	24.5	18.7	PA66HS	Black (BK)	Protection Cap A, male CTCS-series	151-02819
CPBM	21.2	24.5	18.7	PA66HS	Black (BK)	Protection Cap B, male CTCS-series	151-02821
CPCM	21.2	28.4	18.7	PA66, PA6FR	Black (BK)	Protection Cap C, male CTCS-series	151-02851
CPDM	21.2	36.5	17.0	PA66HS	Black (BK)	Protection Cap D, male CTCS-series	151-02825
CPEM	21.2	48.5	17.0	PA66, PA6FR	Black (BK)	Protection Cap E, male CTCS-series	151-02855

All dimensions in mm. Subject to technical changes.